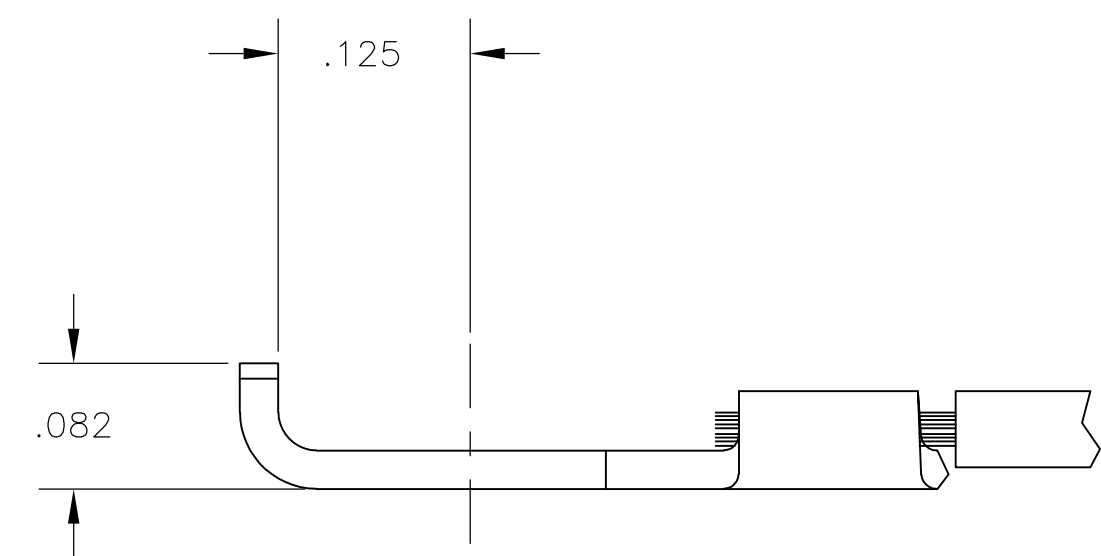
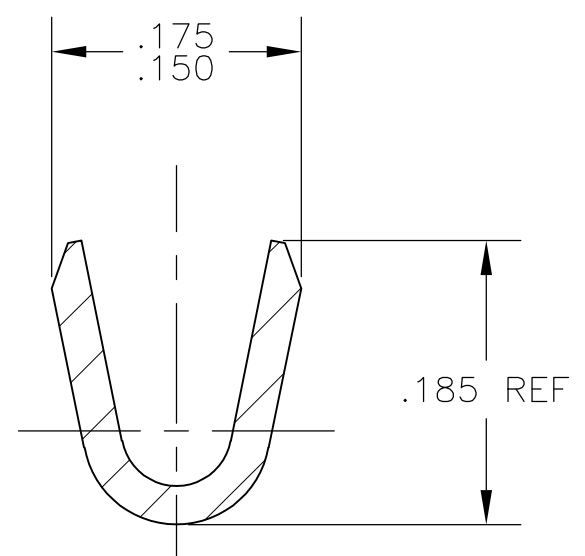
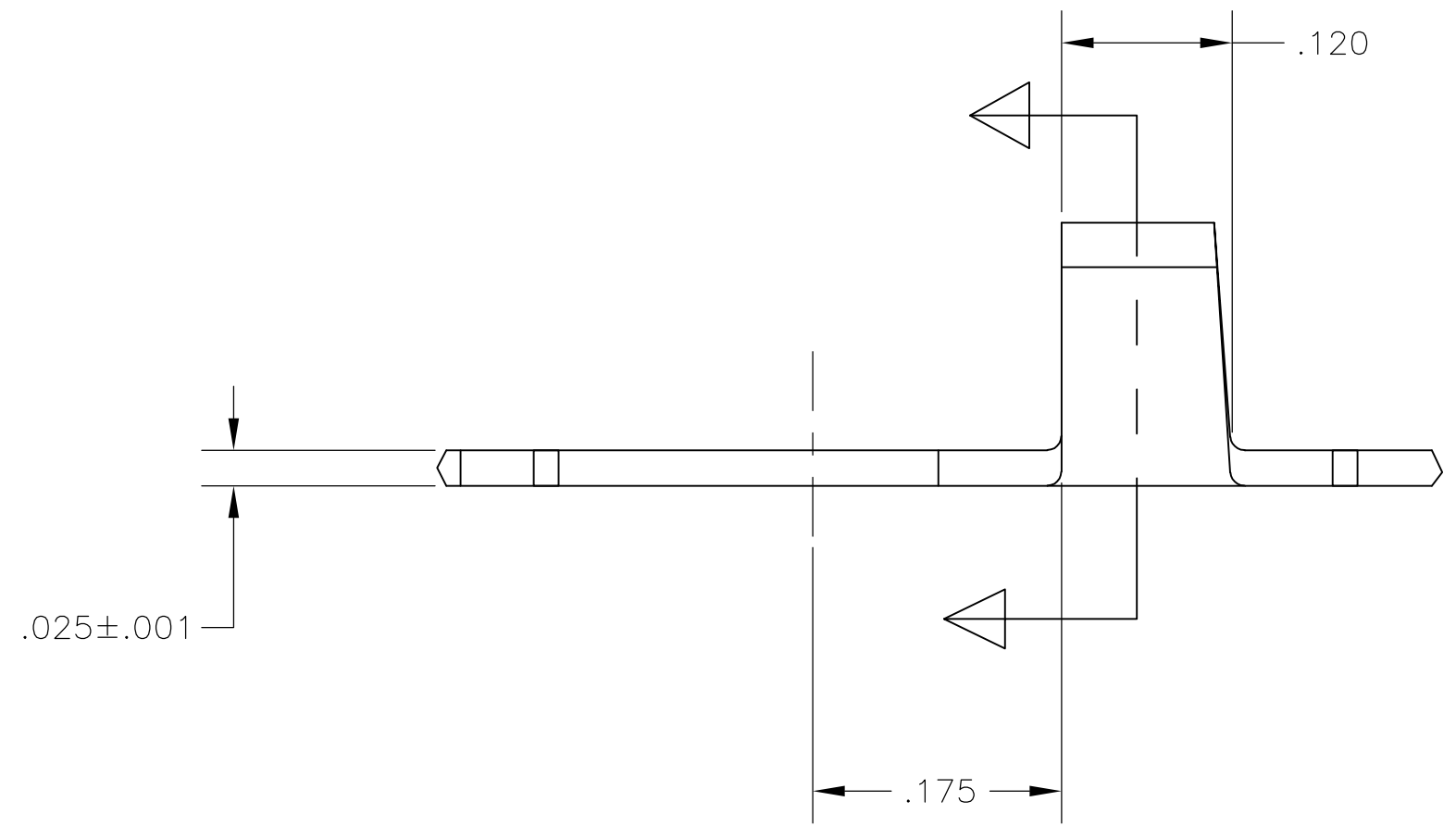
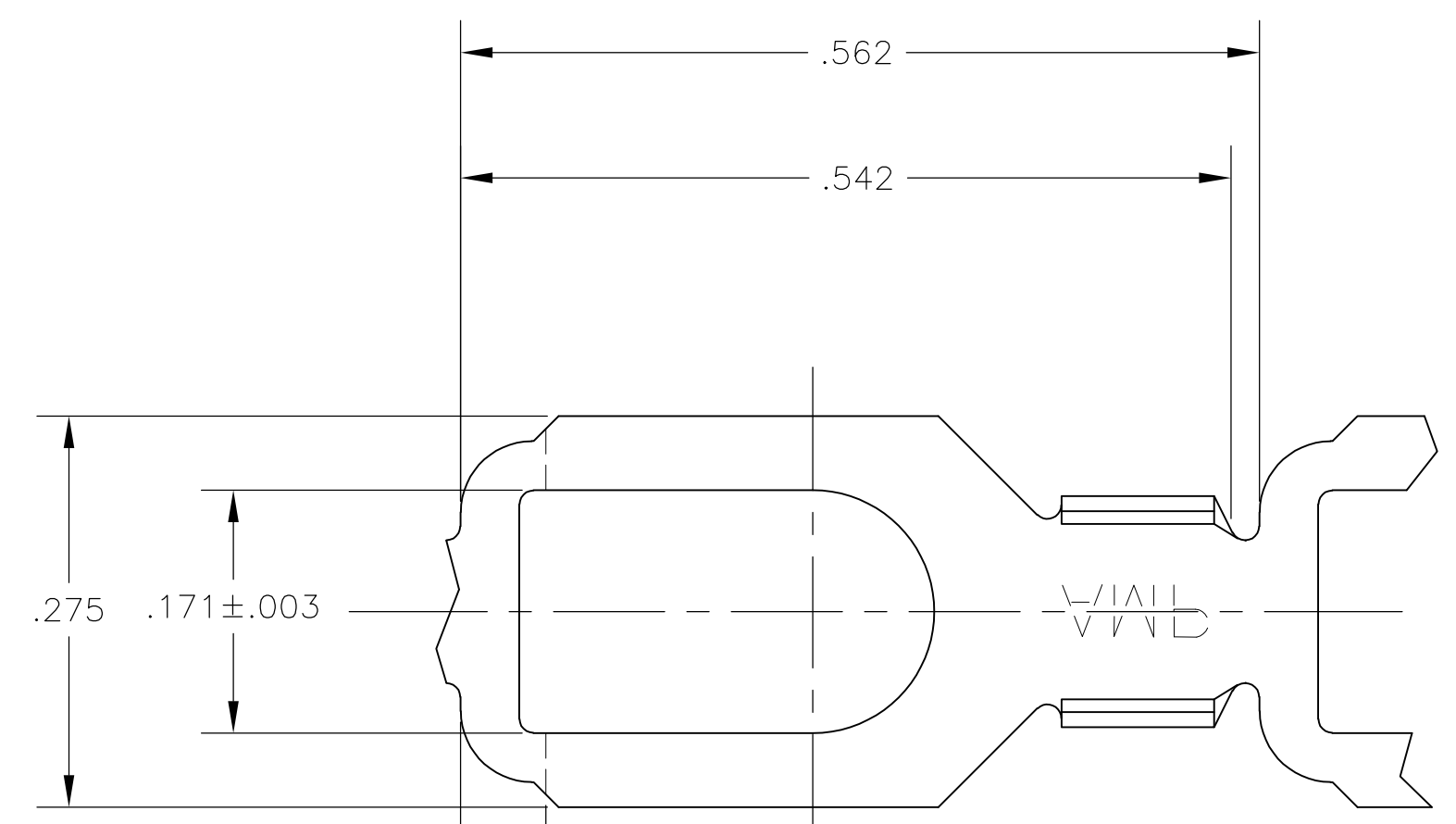


THIS DRAWING IS UNPUBLISHED. RELEASED FOR PUBLICATION
 © COPYRIGHT BY TYCO ELECTRONICS CORPORATION. ALL RIGHTS RESERVED.

LOC		DIST		REVISIONS			
P	LTR	DESCRIPTION		DATE	DWN	APVD	
AF	50	J		REVISED PER ECR-10-006099	06JUL10	HMR PD	



- FOR NEW APPLICATIONS SEE PREFERRED MODERNIZED DESIGN 42320 GROUP AND 42321 GROUP.
- SUFFIX LETTER MUST BE USED ONLY WHEN ORDERING APPLICATOR TOOLING.
- CONTINUOUS STRIP ON REELS.
- REDUCED PACKAGE QUANTITY.
- PRELIMINARY - NOT FOR PRODUCTION.

FLANGED PART NUMBER	WIRE RANGE	PART NUMBER
41473-1 A	18-14 AWG	41473-1
41473 A	18-14 AWG	41473

THIS DRAWING IS A CONTROLLED DOCUMENT.		DWN MICHAEL S. FEHER 02APR2003	Tyco Electronics Corporation Harrisburg, PA 17105-3608	
DIMENSIONS: INCHES		CHK DONALD F. DECKER 02APR2003	NAME DONALD F. DECKER 02APR2003	
TOLERANCES UNLESS OTHERWISE SPECIFIED: 0 PLC ± - 1 PLC ± - 2 PLC ± - 3 PLC ± .010 4 PLC ± - ANGLES ± 1°		APVD DONALD F. DECKER 02APR2003	PRODUCT SPEC -	
MATERIAL 082 BRASS		FINISH TIN	APPLICATION SPEC -	RESTRICTED TO -
WEIGHT -		SIZE A2	CAGE CODE 00779	DRAWING NO 41473
CUSTOMER DRAWING		SCALE 8:1	SHEET 1 OF 1	REV J